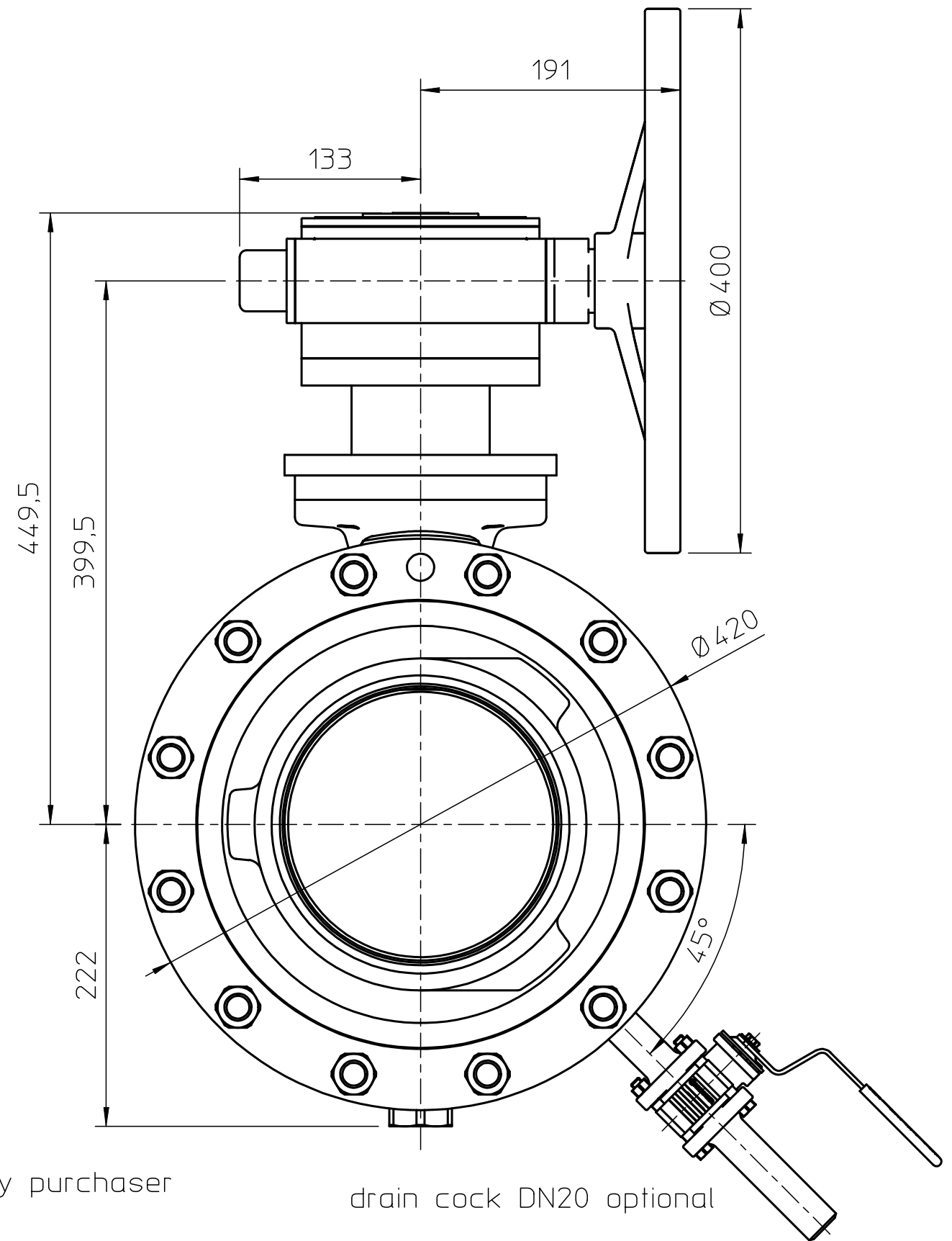
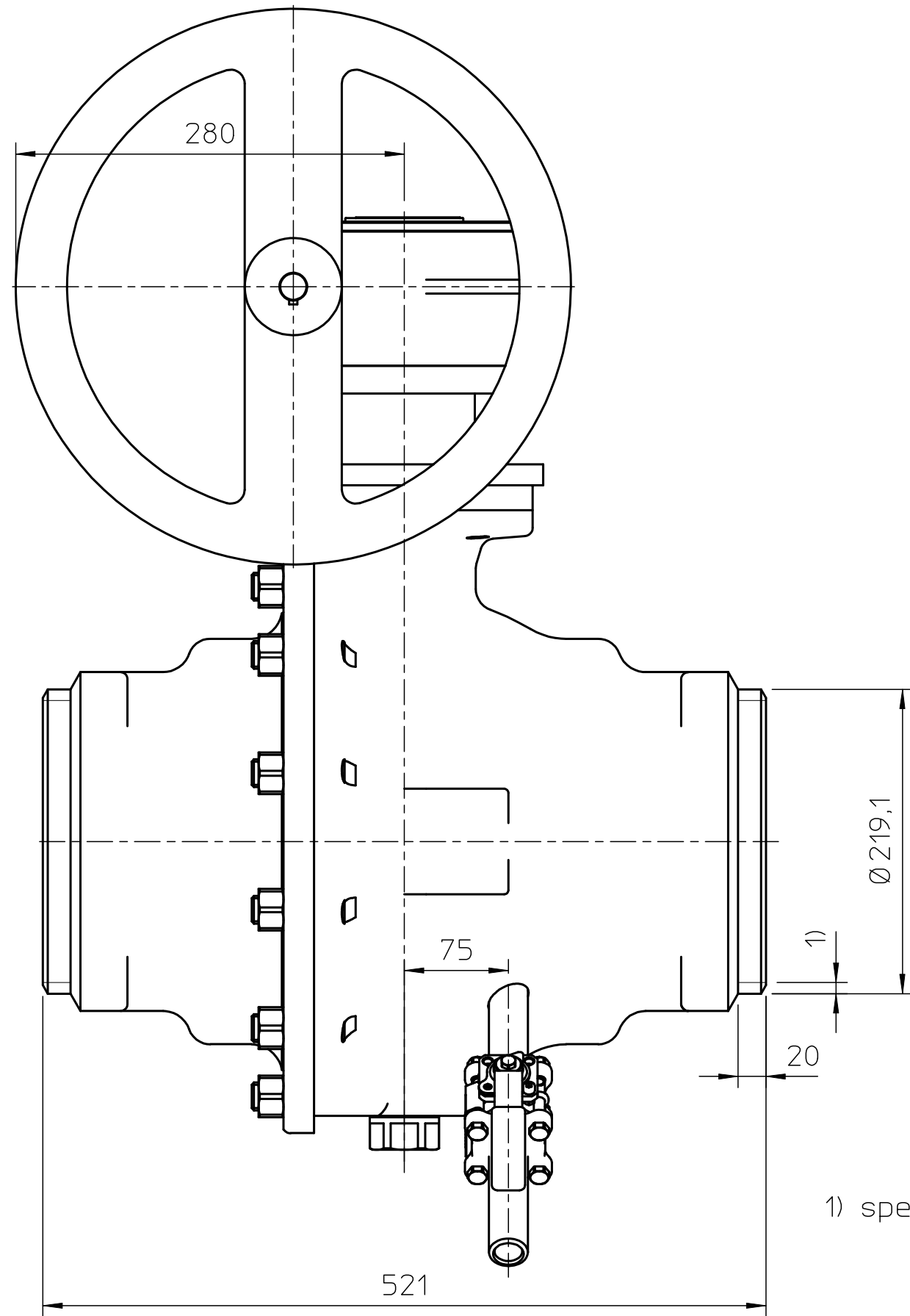


KLINGER ballostar ball valve type KHSV(W)I 200 VII-AF(799)-KFC PN25, with
worm gear type AUMA GS80.3/H.



1) spec. by purchaser

total weight: ca. 153kg

drw.: 20.10.10 SA

wOH31780-2